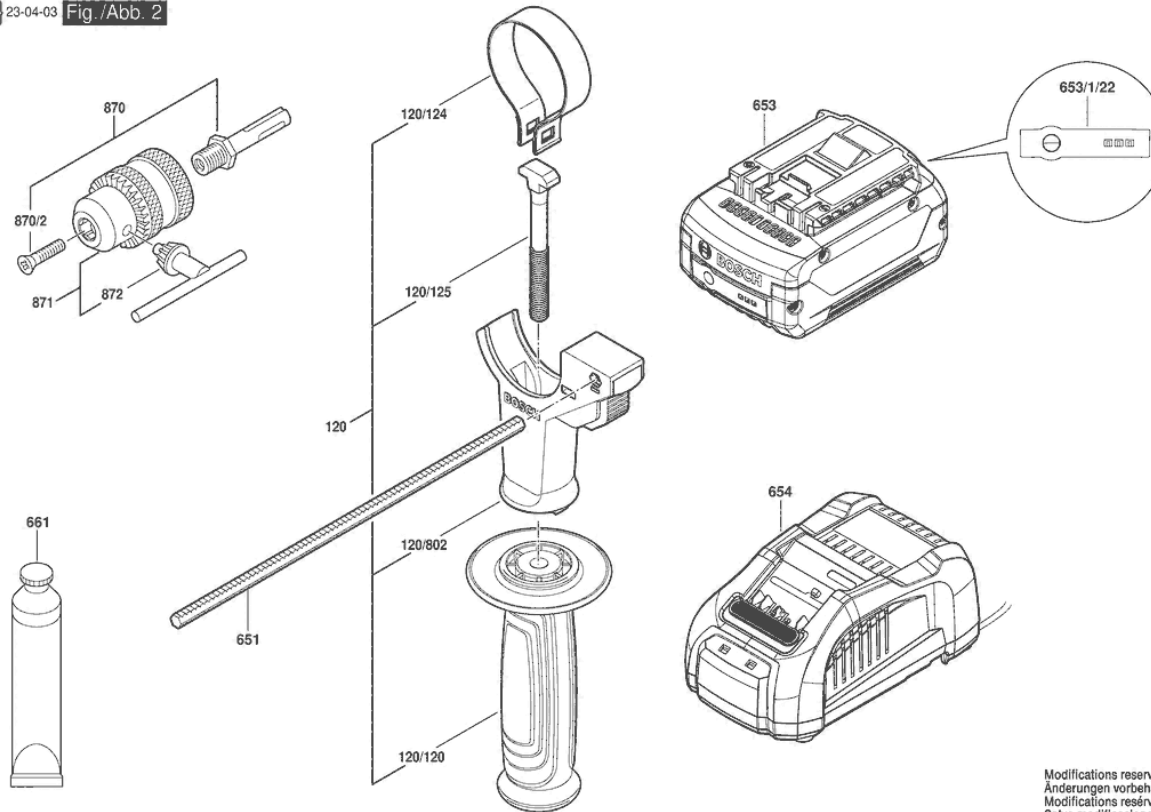




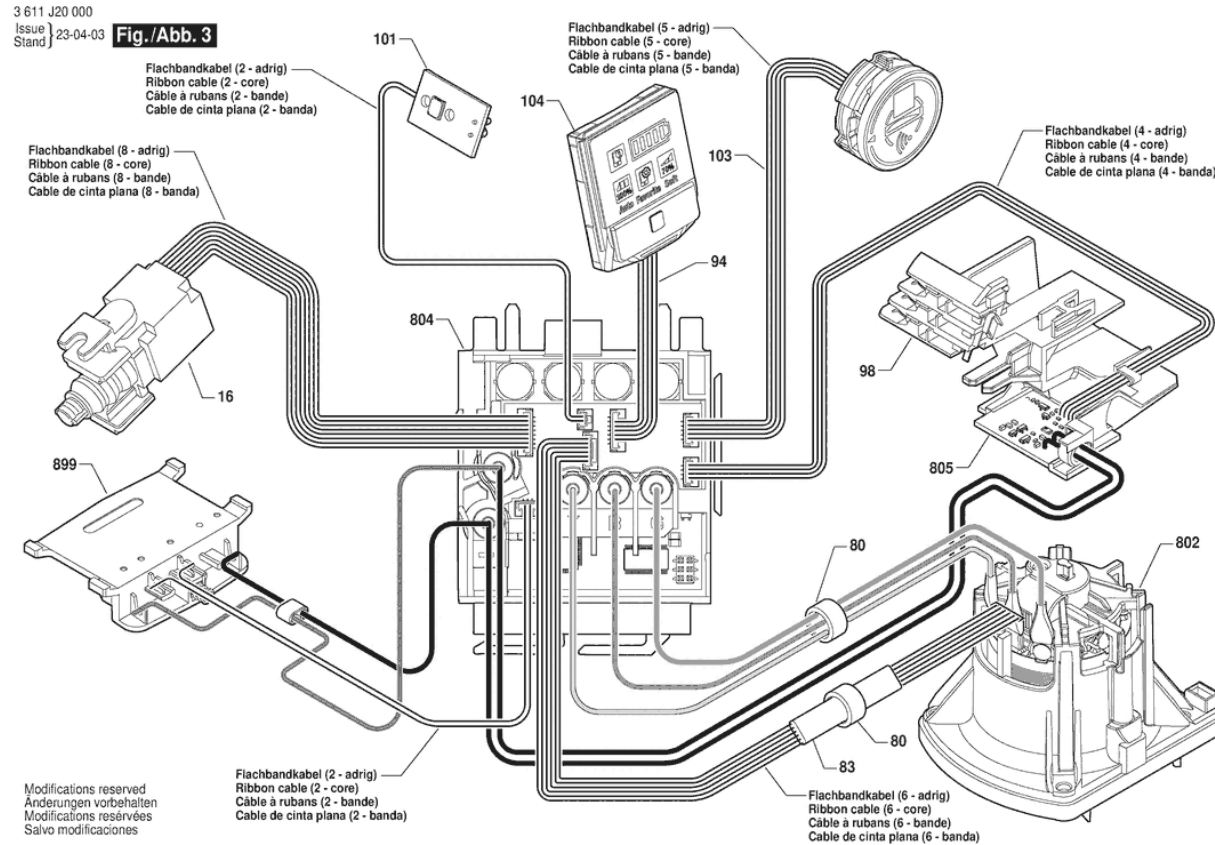
Illustration - Type - E

3 611 J20 000  
Issue | 23-04-03  
Stand | Fig./Abb. 2



Modifications reserved  
Änderungen vorbehalten  
Modifications réservées  
Salvo modificaciones

Illustration - Type - E



## Spare parts list

Item	Part Number	Description	Illustration
1/1	1 605 108 2R9	Housing Section	1
1/61	1 600 A02 02R	Hook	1
1/62	1 600 A02 48A	Compression Spring	1
1/65	1 600 A02 48B	Set screw	1
1/69	1 605 500 2H3	Cover	1
1/70	1 600 A02 0GG	Sliding element	1
2/41	1 600 A01 U07	Stator Casing	1
2/81	1 603 435 086	Torx head screw	1
3	1 600 A01 RN0	Rotor	1
3/14	1 610 905 044	groove ball bearing	1
3/47	1 610 283 047	Rotary shaft lip seal	1
3/48	1 610 290 102	Bearing Ring	1
3/48/1	1 610 210 208	O-Ring 24,0X2,0 MM	1
3/49	1 615 700 044	End Shield	1
5	1 609 280 477	Compression Spring	1
9	1 601 11C 4V5	Manufacturer's nameplate	1
10	1 601 11C 4V6	Manufacturer's nameplate	1
11	1 601 11C 4UW	Reference Plate	1
16	2 607 202 905	Switch	1
17	1 600 A02 53T	Switch-Pawl	1
26	1 617 000 6A5	Hammer Piston	1
26/27	1 610 311 019	Striker	1
26/29	1 600 A01 TD0	Piston Pin	1
26/56	1 610 210 121	O-Ring 17,0X3,0 MM GREEN	1
26/71	1 610 100 016	Guide Disc	1
32	1 612 026 151	Clamp Handle BLACK	1
32/32/2	1 614 690 009	Driver Pin	1
32/32/3	1 612 026 035	Switch Button RED	1
32/32/4	1 600 210 0A4	O-Ring	1
32/32/5	1 614 611 006	Compression Spring	1
40	1 600 A01 VU9	Impact Mechanism Housing	1
53	1 610 210 245	O-Ring	1
55	1 610 210 206	Seal Ring 63,0X5,0 MM	1
63/63	1 600 A00 1CN	Needle bearing	1
63/64	1 610 390 069	Bushing	1

## Spare parts list

Item	Part Number	Description	Illustration
66	1 610 202 021	Plain bearing	1
68	1 610 283 036	Rotary shaft lip seal	1
73	1 603 430 03T	Screw	1
74	1 603 430 00V	Torx Oval-Head Screw	1
75	2 603 490 023	Torx Oval-Head Screw 4X20	1
76	2 603 490 027	Torx Oval-Head Screw 4X40	1
78	1 600 A00 3TA	Shim 0,3 MM	1
78	1 600 A00 4FU	Shim 0,15 MM	1
78	1 600 A00 4FV	Shim 0,45 MM	1
79	1 613 435 023	Thread-forming tap. Screw	1
80	1 600 A02 76C	Ferrite	1
82	1 613 490 017	Thread-forming tap. Screw M4X30 DIN7500-1 T-20	1
83	1 600 A02 9GH	Woven-Fabric Flex. Tubing	1
84	1 600 A02 1VM	Switch Slide	1
85	1 601 200 00P	Leaf Spring	1
94	1 600 A02 603	Ribbon cable	1
98	1 600 A02 2TD	contact block	1
100	1 600 A00 0LE	Lens	1
101	1 607 503 764	Printed-Board Assembly	1
102	1 600 A01 6CY	Electronics Module	1
103	1 600 A02 4Y3	Ribbon cable	1
104	1 607 233 5NS	Electronic Module	1
113	1 616 325 002	Switching Panel	1
130	1 616 333 049	Gear Sleeve	1
135	1 614 601 067	Retaining ring	1
136	1 610 205 017	Felt Disc	1
137	2 916 660 012	Spring retaining ring 30X1,2MM, DIN 472	1
138	1 600 A02 8UM	Guide Piece	1
200	1 600 A00 1CL	Bellows	1
203	1 610 508 047	Protective Cap	1
206	1 613 230 003	Ball Ø7,3 MM	1
207	1 614 601 027	Retaining ring	1
208	1 610 101 629	Retaining Washer	1
209	1 610 102 089	Friction Washer	1

## Spare parts list

Item	Part Number	Description	Illustration
211	1 604 601 02S	Retaining ring	1
321	1 618 597 135	Tool Holding Fixture	1
321/22	1 616 312 004	Cylindrical Gear	1
321/28	1 613 124 098	Striker Pin	1
321/33	1 610 590 020	Holding Jacket	1
321/34	1 610 190 067	Supporting Disc	1
321/37	1 613 100 019	Straight Pin    DIN6325-2,5X12-RIKO	1
321/38	1 600 A00 8AG	Catch Disk	1
321/42	1 610 102 084	Thrust Ring	1
321/46	1 610 390 068	Guide Bushing	1
321/50	1 614 615 008	Compression Spring	1
321/58	1 610 210 105	O-Ring    18,0X3,5 MM	1
321/59	1 600 A00 9VC	Shaft Seal	1
321/60	1 610 210 209	O-Ring    9,5X3,5 MM	1
321/72	1 604 601 027	Retaining ring	1
321/86	1 614 601 034	Retaining ring	1
321/87	1 604 601 028	Retaining ring    A22 DIN 7993	1
802	1 607 000 EX5	Stator	1
804	1 607 000 EX3	Electronics Module	1
805	1 607 000 EX6	Electronics Module	1
808	1 601 11A A1B	Nameplate	1
820	1 617 000 A5J	Intermediate Flange	1
821	1 618 597 138	Tool Holding Fixture	1
825	1 617 000 A5K	Jack Shaft	1
828	1 617 000 697	Striker Pin	1
830	1 617 000 698	Gear Sleeve	1
892/1	1 600 A01 6ML	Cover Panel	1
892/2	1 600 A01 3WF	Electronics Module	1
893	1 600 A01 N8R	Cover unit	1
899	1 607 000 EX4	Contact Plate	1
8025	1 618 597 139	Tool Holding Fixture	1
120	1 602 025 0AS	Auxiliary Handle	2
120/120	1 602 025 09C	Auxiliary Handle	2
120/124	1 611 316 021	Clamping Band    Ø50 MM	2
120/125	1 613 490 001	T-Head Bolt    M8X80 MM	2

## Spare parts list

Item	Part Number	Description	Illustration
120/802	1 618 040 092	Support clamp	2
651	1 613 001 009	Depth-Gauge SW 6X210 MM	2
653	1 607 A35 0AS	Battery Pack	2
653	1 607 A35 0AT	Battery Pack	2
653	1 607 A35 0LR	Battery Pack	2
653/1/22	1 601 11C 29Y	Sticker	2
654	2 607 225 921	Charger EU GAL 1880 CV 230/14,4-18V	2
654	2 607 225 923	Charger	2
654	2 607 225 933	Charger ROK GAL 1880 CV 220V/14,4-18V	2
661	1 615 430 010	Grease Tube 30 ML	2
870	1 613 523 011	Drill Chuck Shank 1/2", SDS-PLUS	2
870/2	2 603 421 207	Countersunk-Head Screw M6X27-KØ11 LEFTHAND THREADS	2
871	1 608 571 069	Chuck Ø1,5-13 MM, 1/2"	2
872	2 607 950 007	Chuck Wrench SG2	2